



## PRODUCT SUMMARY

DATARACK Wall Mount Rack specially designed for small Networking, Domestic application, Audio Video, Telecom and Lab applications. Rack are fabricated out of CRAC Steel Powder coated with highest quality standards.

Configuration for standard racks are welded frame (CKD) integrated with side panels and vented top cover with fan mounting provision, Rear Side of the rack provided the provision to mount the rack on the wall and front toughened glass door with lock and key provides you the visibility and security for your equipment's.

Racks are available from 4U - 15U Variants with Following Dimension:

Width - 550mm x Depth - 400mm / 500mm / 600mm

Note:

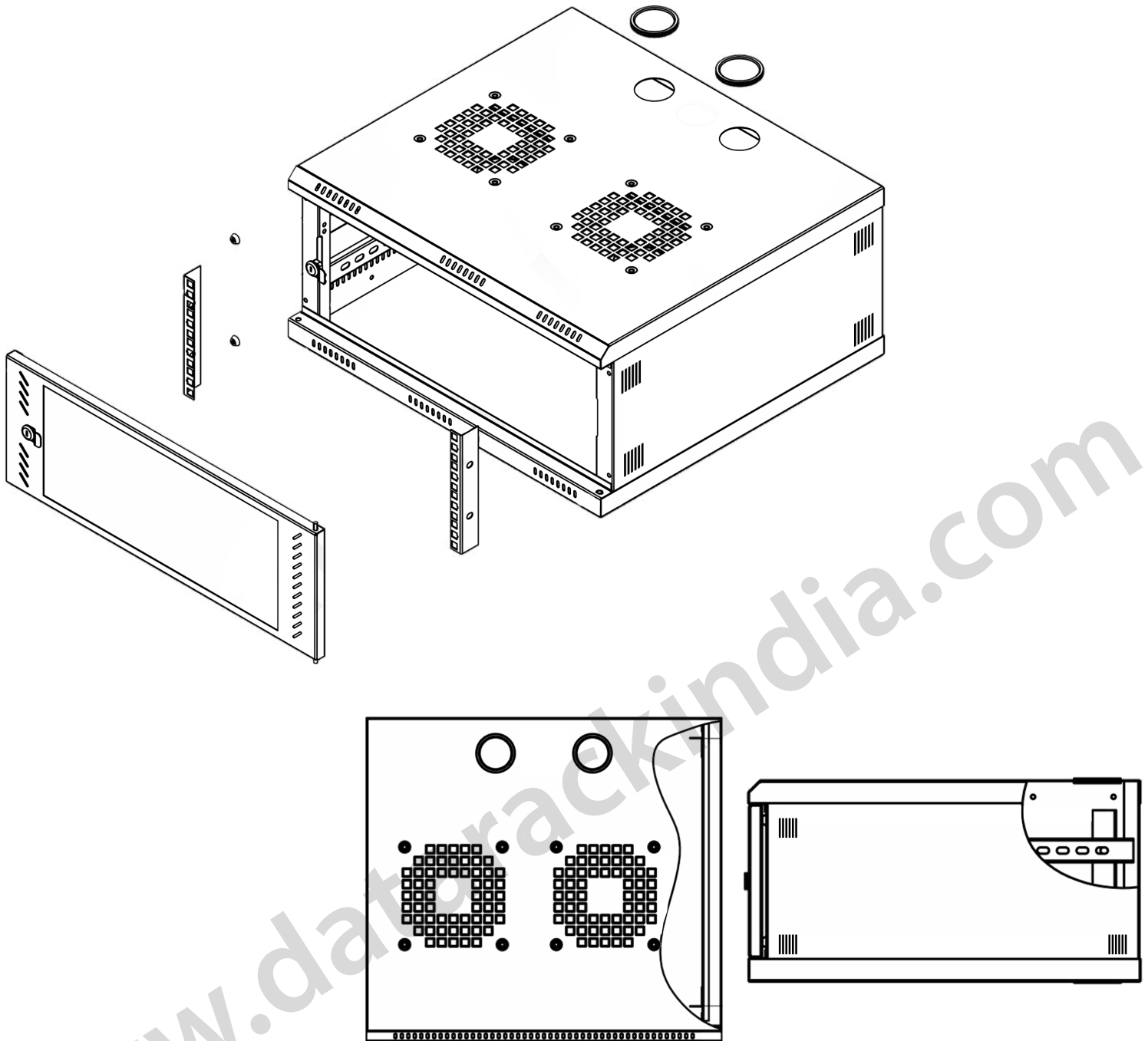
- We can make customized requirements and other models on request
- 1U = 44.45mm

## PRODUCT FEATURES

- Conforms to DIN 41494 OR equivalent ISO Standards
- Adjustable 19" equipment mounting verticals provide better mounting flexibility and maximizes the usable mounting space
- Depth adjustable mounting slots
- Precision engineering capabilities and best efficient software configuration product technology provide the best product quality and fastest delivery in the industry
- Top and bottom Panel with ventilation and cable entry provision
- Provision to mount cooling fans on the top panel 1 or 2 Fans
- Powder coated finish
- Grounding and Bonding Options. 100% assured compatibility with all equipment conforming to DIN 41494 (General industrial standard for equipment)

## OPTIONAL ACCESSORIES

- Cooling Fans
- Power Distribution Units
- Cable Manager MS or PVC
- Cantilever Tray / Shelf Tray
- Mounting Hardware



## TECHNICAL SPECIFICATION

Rack Standard	Conform to DIN 41494 or equivalent standard
Construction	Welded or CKD (Knockdown)
Front Door	Lockable front toughened Glass Door
Basic Frame	Mild Steel
Equipment Mounting	DIN Std 10mm sq slots
Mounting Angle	19° Mounting angle made of formed steel
Standard Finish	Powder coated
Top and Bottom Cover	Welded to Frame or CKD , vented and cable entry provision
Standard Color	Grey , Off white and black ( RAL 7035 Structure , RAL9005 Structure)
Load Capacity	20 Kg

## SINGLE SECTION WALL MOUNT RACK 2U PART CODE & DIMENSIONS

PART CODE	TOTAL HEIGHT IN MM (H)	USABLE HEIGHT (H)	TOTAL WIDTH IN MM (W)	USABLE WIDTH IN INCHES (W)	TOTAL DEPTH IN MM (D)	USABLE DEPTH IN MM (D)
DRT-WMSS-5540-02U	150	2U	550	19"	400	350